



HI-FOG®

Technical Data Sheet TC9005

# Pop-up Spray Head DPS-2-0,7-77-R1/4



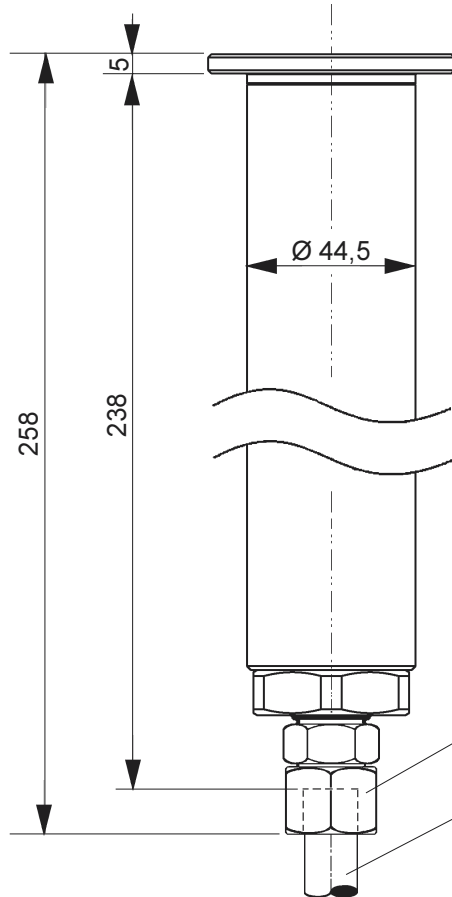
Stock code C70005

TA

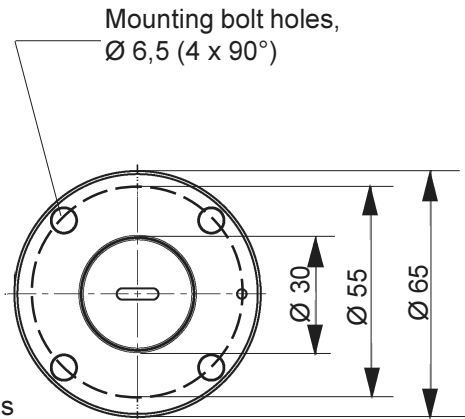
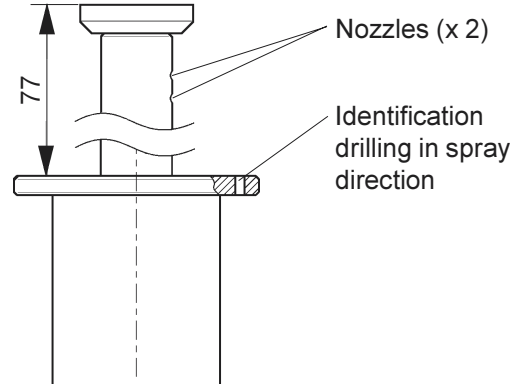
11 Mar 2004

### Spray head stand-by

When activated, the hydraulic operation lifts the spray head from inserted stand-by position



### Spray head fully ejected



<b>General</b>	Body material	Brass
	Mass	2,46 kg
	K-factor	0,4 lpm/bar <sup>0,5</sup>
<b>Installation</b>	Location	Flush with the duct inner surface
	Projection	Along the duct flow direction
	Max. duct cross section area*	□ 0,2 m x 0,2 m or Ø 0,2 m
	Max. spacing*	10 m
<b>Typical application</b>		Galley and laundry ducts

\*) Application specific

**Marioff** Marioff Corporation Oy, P.O. Box 86, Virratie 3, FIN-01301 Vantaa, Finland, tel +358 9 870 851, fax +358 9 8708 5399, e-mail info@marioff.fi, www.hi-fog.com